

This file provided by

INFINITY

d a t a c o r p

Switch to Infinity Data Corp for your processing needs! Infinity offers great rates, excellent customer support and a wide range of payment processing solutions.

<http://www.infinitydata.com/>

Call Today!
Sales 1 800 393 6665

1 CREON 系列設計及功能介紹 Layout & Function Descriptions of CREON

1.1. CREON

1.1.1 CREON 主要包括: CREON includes:



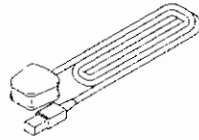
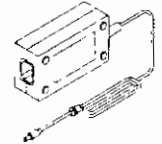
終端機 - 處理交易流程、密碼輸入、打印、處理通訊及其他用戶介面，如電子收銀機連線等。

Terminal - It is responsible for transaction processing, PIN entry, printing, communication and other peripheral interfaces such as ECR integration.

電源供應器 - 為終端機操作提供12V直流電

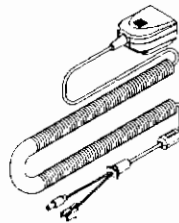
Power Adaptor -

It provides 12V DC to the terminal for operation

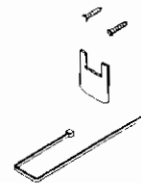


電源線
Power Cord

PSTN 連接線 (可選配)
PSTN Cord (Optional)



一體化電源線 (可選配)
All-in-one Power Cord (Optional)



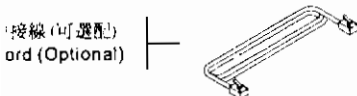
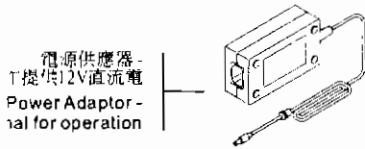
配件 (可選配)
- 螺絲釘
- 雙面膠紙
- 索帶

Accessories (Optional)
- Screws
- Double side adhesive tape
- Cable Tie

功能介紹 Descriptions of CREON

終端機 - 處理交易流程、密碼輸入、打印、與通訊及其他用戶介面，如電子收銀機對象等。

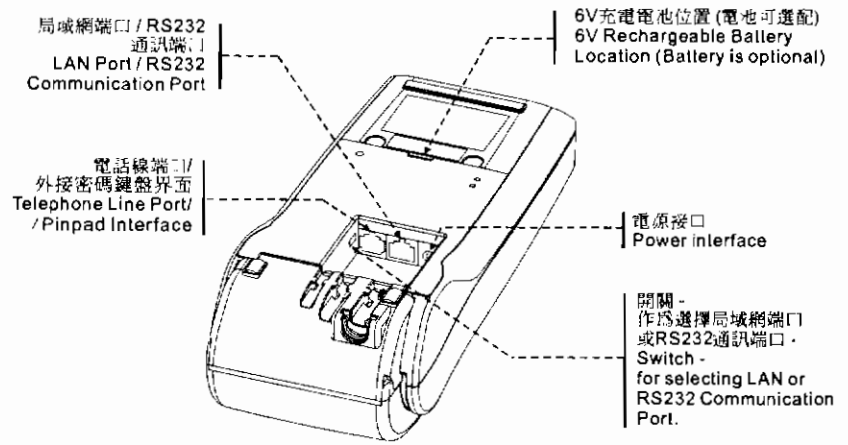
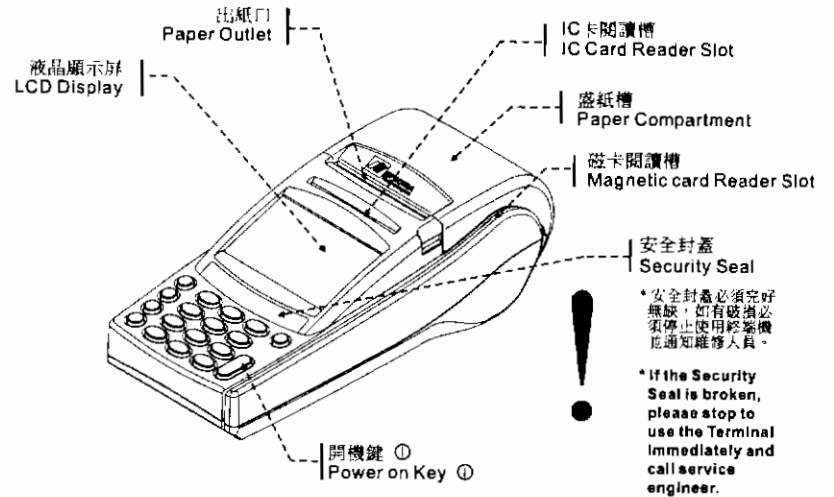
Terminal - responsible for transaction processing, password entry, printing, communication and other peripheral interfaces such as ECR registration.



電話線 (可選配)
Telephone Cord (Optional)

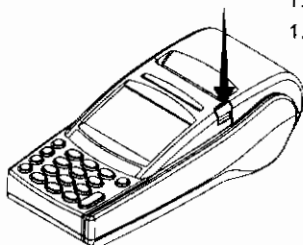
- 配件 (可選配)
Accessories (Optional)
- 螺絲釘
 - 雙面膠紙
 - 索帶
- Screws
- Double side adhesive tape
- Cable Tie

1.1.2 終端機的組件特徵 Features at a glance - Terminal

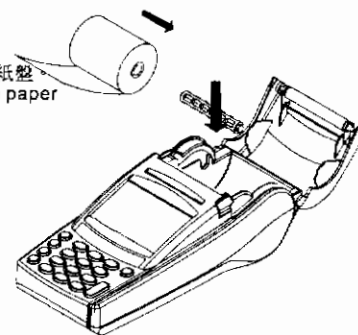


1.1.3 送紙程序 Paper feed procedure

1. 按紅色鍵打開紙斗蓋。
1. Press "Red" Button to open printer cover.



2. 將紙卷如圖般放入紙盤。
2. Place paper roll to paper tray as diagram.



3. 關上紙斗蓋。
3. Close the printer cover.



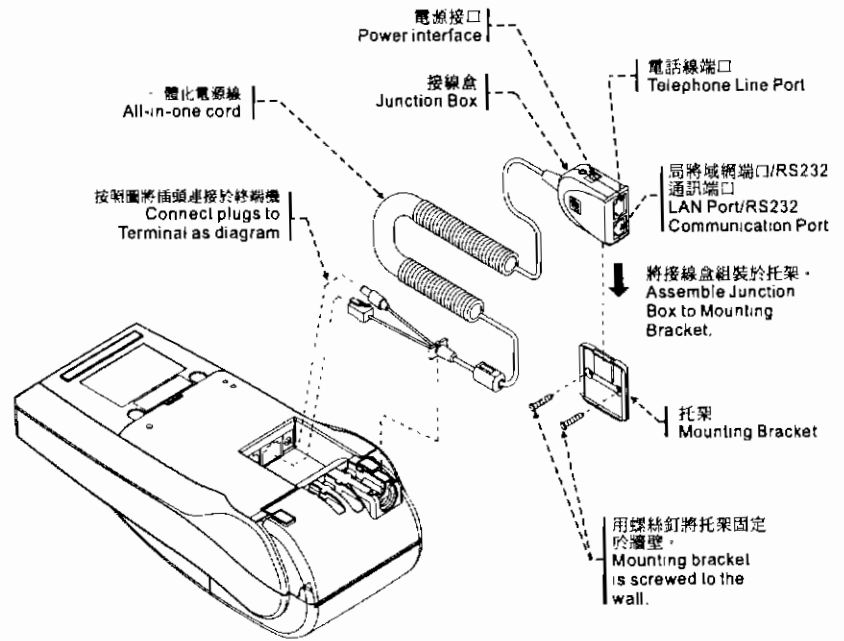
注意：
Note:

紙卷：
Paper Roll:

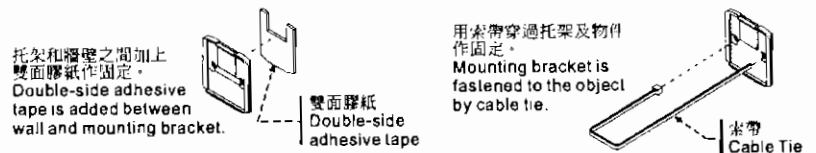
∅ 50MM Max



1.1.4 一體化電源線使用說明 All-in-one Cord Operating Instruction



固定托架的其他方法 Alternatives for fastening Mounting bracket

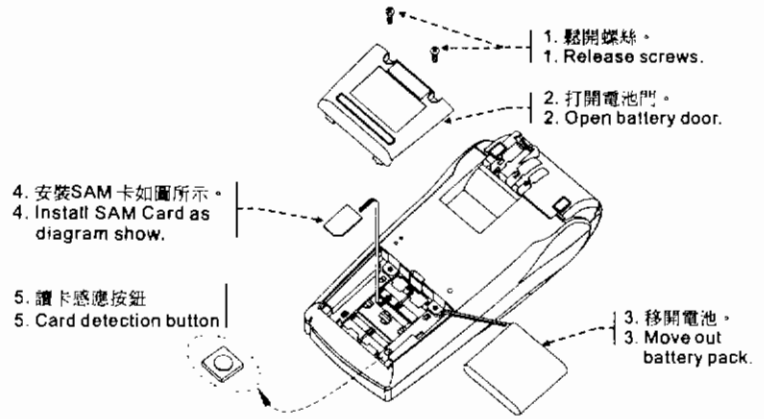




1.1.5 安裝SAM / MMC / SD 卡程序 Installation Procedure of SAM / MMC / SD Card

配有四SAM卡插槽之型號

For 4 SAM Card slots version



備註: 必須把電池門裝上(使讀卡感應按鈕自動壓下)才能讀取SAM卡。

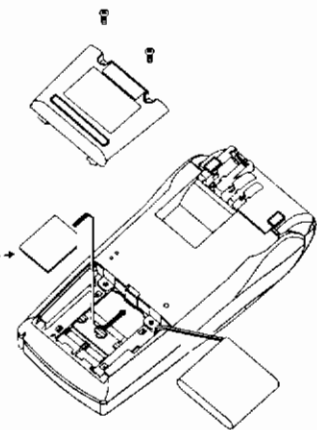
Remark: The battery door must be installed(Card detection button is pressed) to access the SAM cards.

配有二SAM卡插槽及MMC/SD卡插槽之型號

For 2 SAM and MMC/SD Card slots version

SAM卡'1'及'2'的安裝方法與四SAM卡型號相同。
Installation method for SAM Card '1' and '2' is same as 4 SAM Card slots version.

安裝MMC / SD卡如圖所示。
Install MMC / SD Card as diagram show.



1.2. Wireless CREON

1.2.1 Wireless CREON 主要包括: Wireless CREON includes:

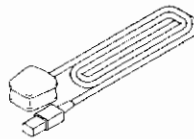
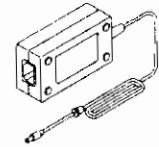


終端機 -
處理交易流程、密碼輸入、打印、處理通訊
及其他用戶介面，如電子收銀機連線等。

Terminal -
It is responsible for transaction
processing, PIN entry, printing,
communication and other peripheral
interfaces such as ECR intergration.

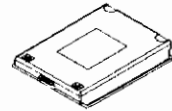
電源供應器 (可選配) -
為終端機操作提供12V直流電

Power Adaptor (Optional) -
It provides 12V DC to the terminal for operation



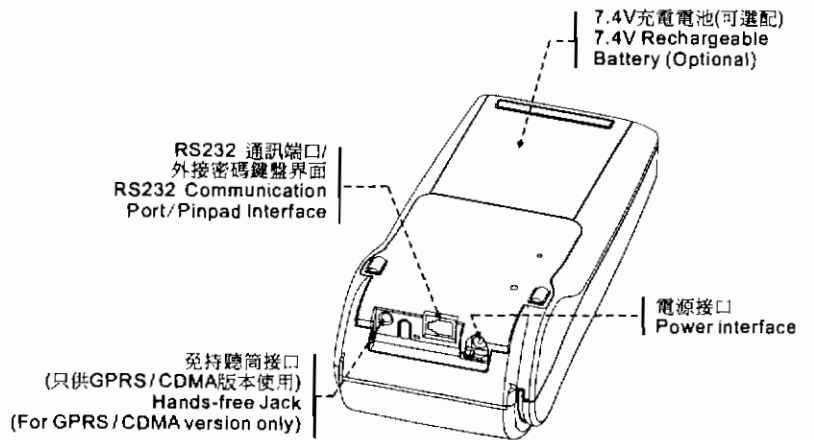
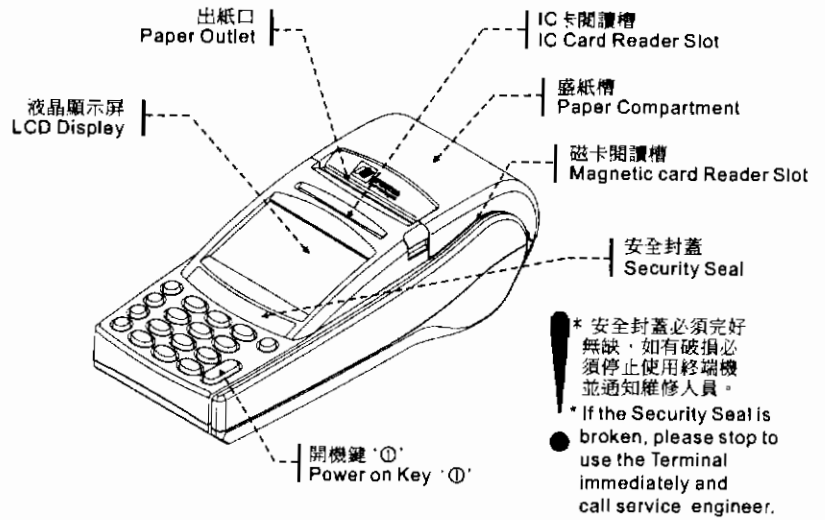
電源線
Power Card

7.4V充電電池 (可選配)
7.4V Rechargeable Battery (Optional)

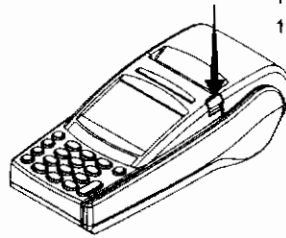




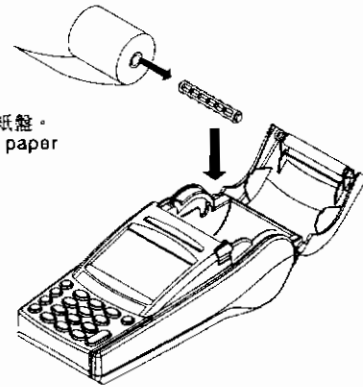
1.2.2 終端機的組件特徵 Features at a glance - Terminal



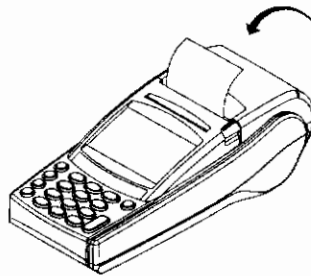
1.2.3 送紙程序 Paper feed procedure



1. 按紅色鍵打開紙斗蓋。
1. Press "Red" Button to open printer cover.



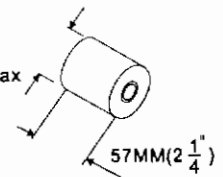
2. 將紙卷如圖般放入紙盤。
2. Place paper roll to paper tray as diagram.



3. 關上紙斗蓋。
3. Close the printer cover.

注意：
Note:

紙卷：
Paper Roll: $\varnothing 40\text{MM Max}$

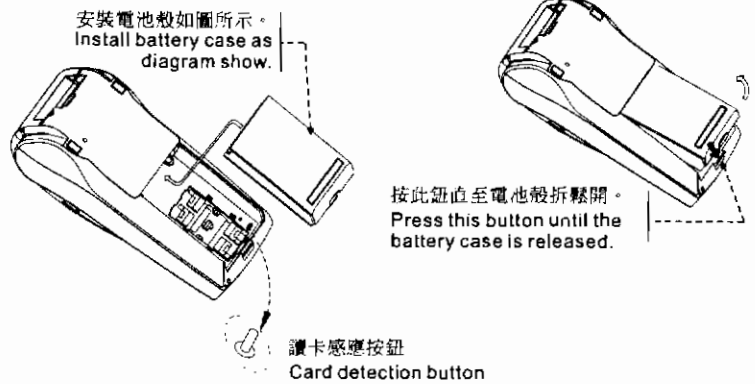




1.2.4 安裝及拆除電池 Install and unload battery

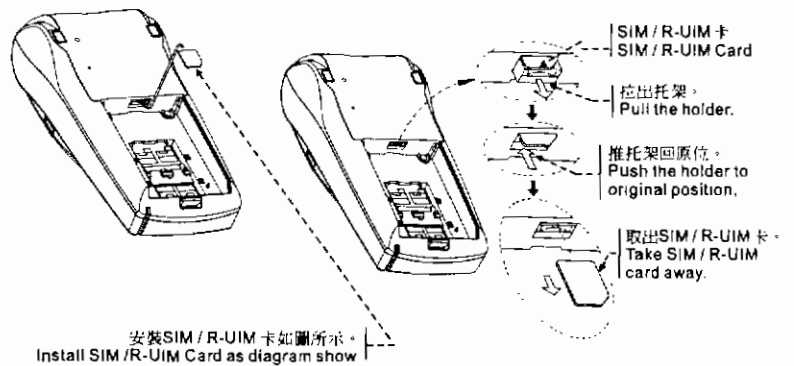
安裝電池程序 Installation Procedure of Battery

拆除電池程序 Unloading Procedure of Battery



備註: 必須把電池裝上(使讀卡感應按鈕自動壓下)才能讀取SAM / SIM / R-UIM 卡。
Remark: The battery must be installed(Card detection button is pressed) to access the SAM / SIM / R-UIM cards.

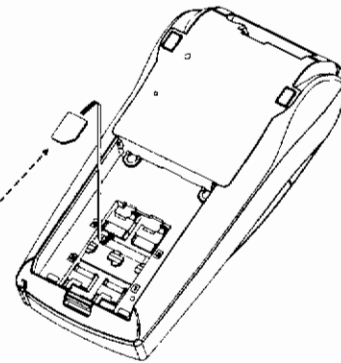
1.2.5 安裝及拆除SIM/R-UIM卡程序 Install and unload procedure of SIM/R-UIM Card



1.2.6 安裝SAM / MMC / SD 卡程序 Installation Procedure of SAM / MMC / SD Card

配有四SAM 卡插槽之型號
For 4 SAM Card slots version

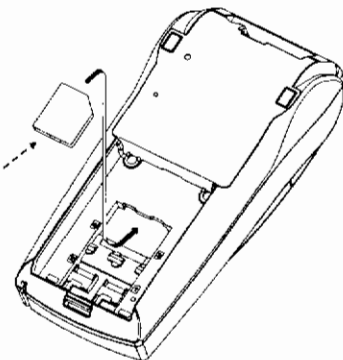
安裝SAM 卡如圖所示。
Install SAM Card as
diagram show.



配有二SAM卡插槽及MMC / SD 卡插槽之型號
For 2 SAM and MMC / SD Card slots version

SAM 卡 `1` 及 `2` 的安裝方法與四
SAM卡型號相同。
Installation method for SAM Card `1`
and `2` is same as 4 SAM Card slots
version.

安裝MMC / SD 卡如圖所示。
Install MMC / SD Card as
diagram show.

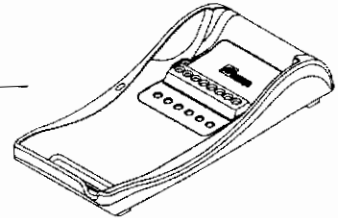


警告使用者:
此為 A 級產品，在生活環境中該產品可能
會造成無線電干擾，在這種情況下，可能
需要用戶對其採取切實可行的措施。

1.3. CREON-D

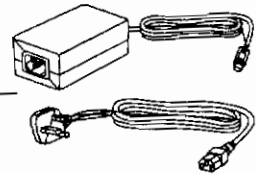
1.3.1 CREON-D 主要包括: CREON-D includes:

機座 -
處理通訊及其他用戶介面，如電子收銀機連線等。
Base Unit -
It is responsible for communication and other peripheral interfaces such as ECR integration.



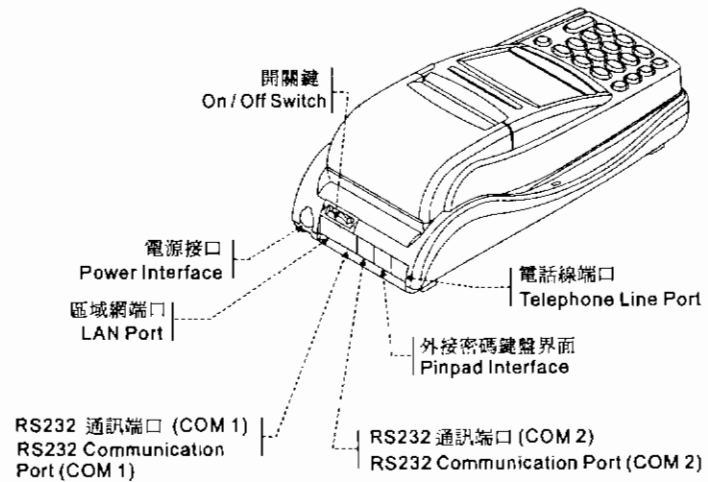
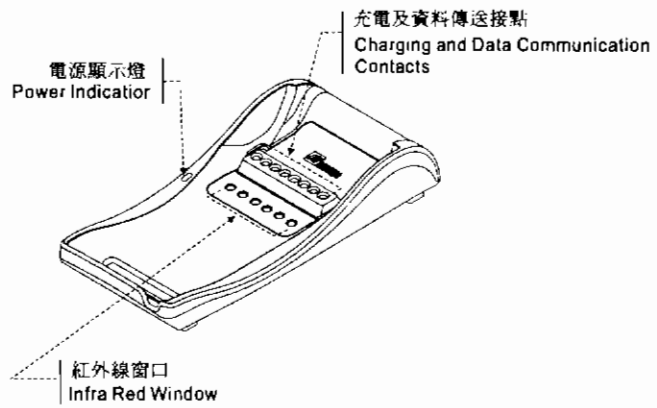
手機 - 處理交易流程、密碼輸入及打印等。
Handset Unit -
It is responsible for transaction processing, PIN entry and printing

電源供應器及電源線 -
為終端機操作提供12V直流電
Power Adaptor and Power Cord -
It provides 12V DC to the terminal for operation

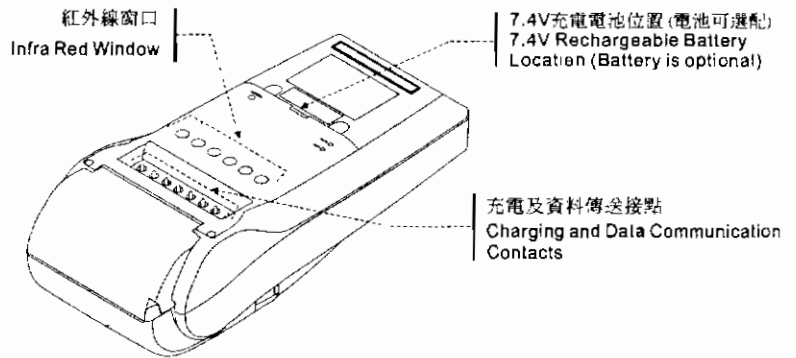
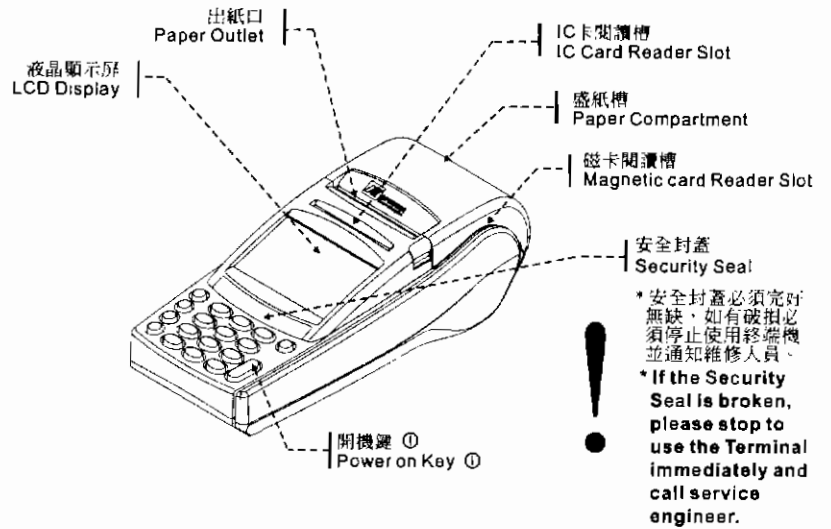


PSTN 連接線 (可選配)
PSTN Cord (Optional)

1.3.2 機座的組件特徵 Features at a glance - Base Unit



1.3.3 手機的組件特徵 Features at a glance - Handset Unit



注意：

手機必須適當放在座機上，所有RS232通訊端口、區域網端口及電話線端口才能正常操作。另外，7.4V 充電電池亦能正常充電。

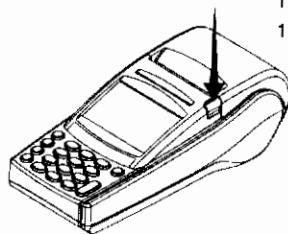
Note:

All the communication ports including RS232 ports, Telephone port and LAN port can only be operated when the Handset Unit is placed properly on the Base Unit. Besides, the rechargeable battery can also be charged up.

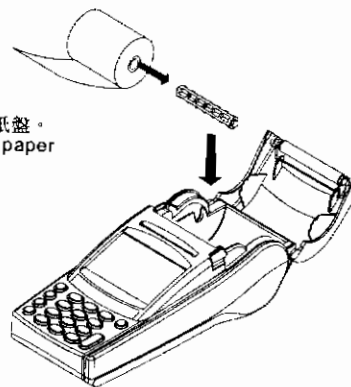
1.3.4 送紙程序 Paper feed procedure

1. 按紅色鍵打開紙斗蓋。

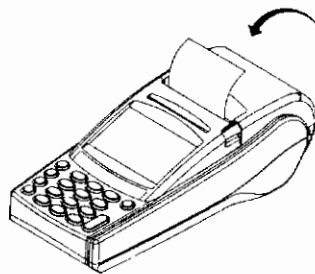
1. Press "Red" Button to open printer cover.



2. 將紙卷如圖般放入紙盤。
2. Place paper roll to paper tray as diagram.

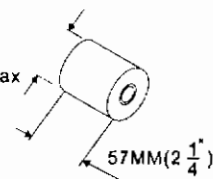


3. 關上紙斗蓋。
3. Close the printer cover.



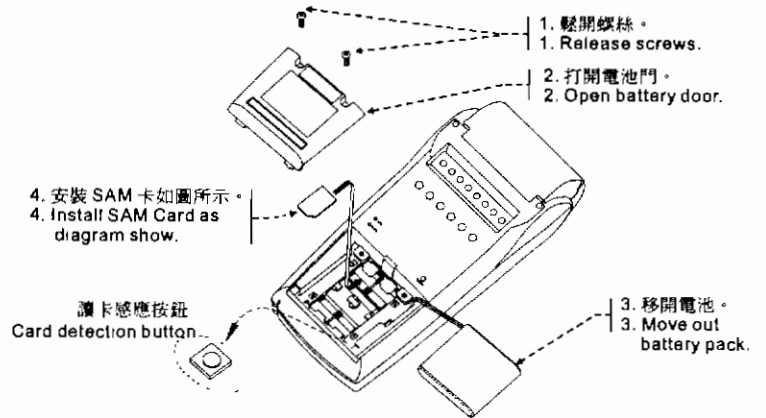
注意：
Note:

紙卷：Ø 50MM Max
Paper Roll:



1.3.5 安裝SAM / MMC / SD 卡程序 Installation Procedure of SAM / MMC / SD Card

配有四 SAM 卡插槽之型號
For 4 SAM Card slots version

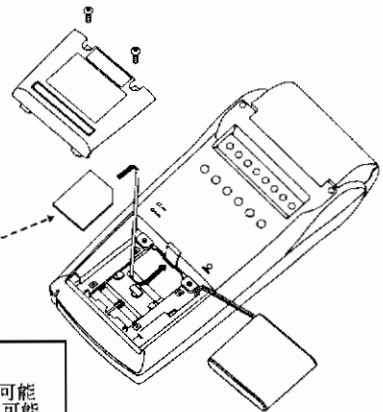


備註: 必須把電池門裝上(使讀卡感應按鈕自動壓下)才能讀取 SAM 卡。
Remark: The battery door must be installed(Card detection button is pressed) to access the SAM cards.

配有二 SAM 卡插槽及 MMC/SD 卡插槽之型號
For 2 SAM and MMC/SD Card slots version

SAM 卡 '1' 及 '2' 的安裝方法與四 SAM 卡型號相同。
Installation method for SAM Card '1' and '2' is same as 4 SAM Card slots version.

安裝 MMC / SD 卡如圖所示。
Install MMC / SD Card as diagram show.



警告使用者:
此為 A 級產品, 在生活環境中該產品可能會造成無線電干擾, 在這種情況下, 可能需要用戶對其採取切實可行的措施。

1.4. CREON-E

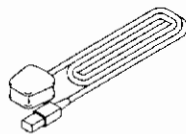
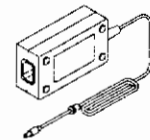
1.4.1 CREON-E 主要包括: CREON-E includes:



終端機 - 處理交易流程、密碼輸入、打印、處理通訊及其他用戶介面，如電子收銀機連線等。

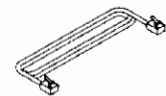
Terminal -
It is responsible for transaction processing, PIN entry, printing, communication and other peripheral interfaces such as ECR integration.

電源供應器 -
為終端機操作提供12V直流電
Power Adaptor -
It provides 12V DC to the terminal for operation



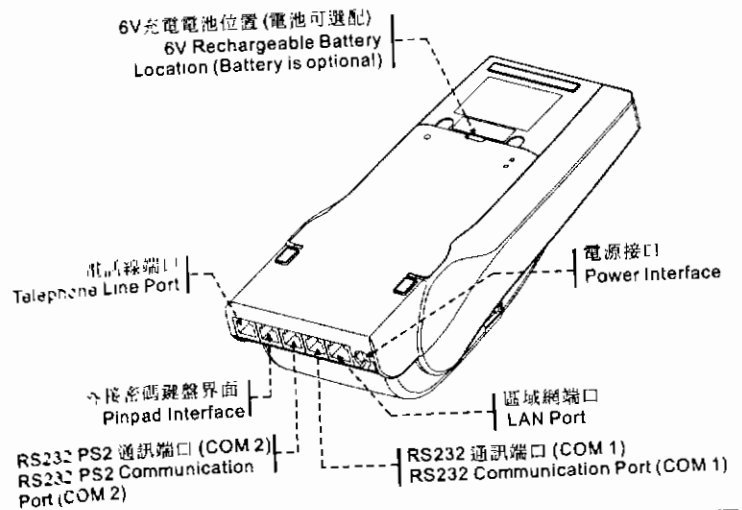
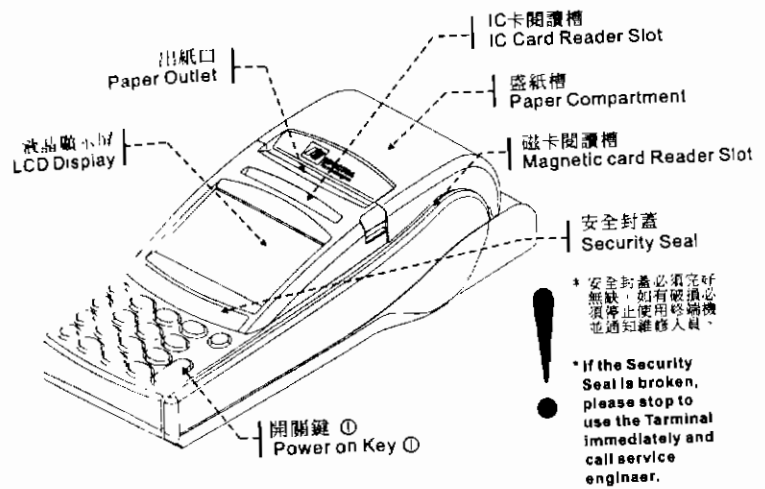
電源線
Power Cord

PSTN 連接線 (可選配)
PSTN Cord (Optional)

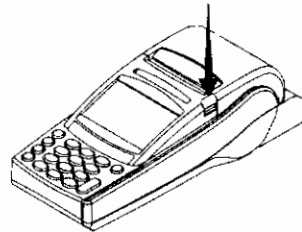


1.4.2 終端機的組件特徵 Features at a glance - Terminal

終端機的組件特徵 *Features at a glance - Terminal*

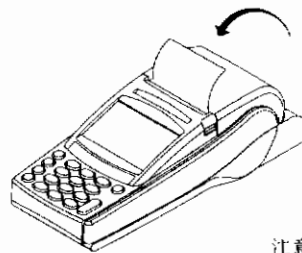
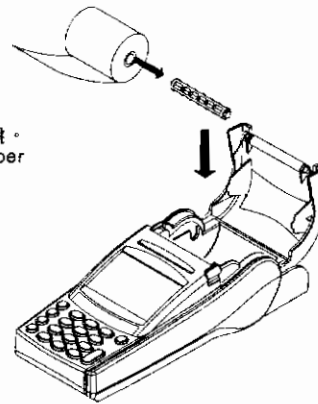


1.4.3 送紙程序 Paper feed procedure



1. 按紅色鍵打開紙斗蓋。
1. Press Red Button to open printer cover.

2. 將紙卷如圖般放入紙盤。
2. Place paper roll to paper tray as diagram.

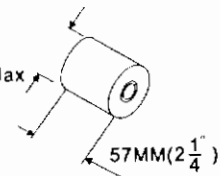


3. Close the printer cover.
3. 關上紙斗蓋。

注意：
Note:

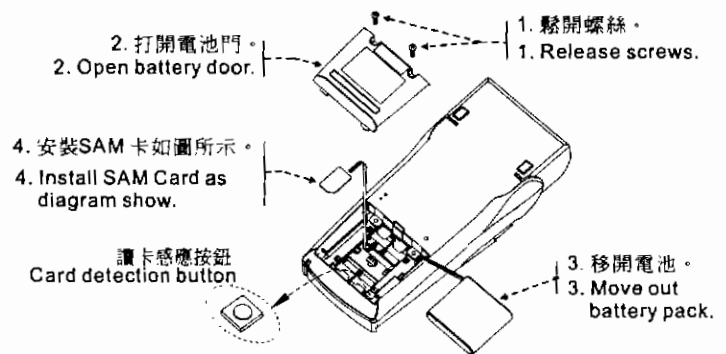
紙卷：
Paper Roll:

∅ 50MM Max



1.4.4 安裝SAM / MMC / SD 卡程序 Installation Procedure of SAM / MMC / SD Card

配有四SAM卡插槽之型號
For 4 SAM Card slots version

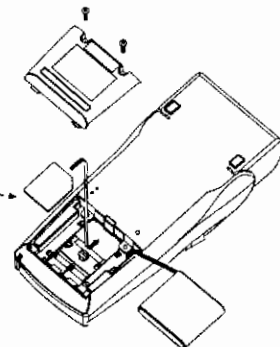


備註: 必須把電池門裝上(使讀卡感應按鈕自動壓下)才能讀取SAM卡。
Remark: The battery door must be installed(Card detection button is pressed) to access the SAM cards.

配有二SAM卡插槽及MMC/SD卡插槽之型號
For 2 SAM and MMC/SD Card slots version

SAM卡`1`及`2`的安裝方法與四SAM卡型號相同。
Installation method for SAM card `1` and `2` is same as 4 SAM Card Slots version.

安裝MMC/SD卡如圖所示。
Install MMC/SD Card as diagram show.



警告使用者:
此為A級產品, 在生活環境中該產品可能會造成無線電干擾, 在這種情況下, 可能需要用戶對其採取切實可行的措施。


2 如何啓動 How to activate the terminal

開關程序

開機

只要將電源接通，終端機會自行啓動。啓動後，屏幕顯示『請刷卡』字樣，此時間下可進行各類型交易操作。

關機

將電源供應器從終端機拔去時，按  鍵數秒便會自行關機。

注意：

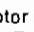
1. 終端機如超過 90 秒而沒有操作便會自行關機。同樣，CREON-D 手機若果沒有放在座機上並超過 90 秒沒有操作便會自行關機。
2. 用戶於收到新終端機時，請先充電四小時，CREON-E 則請充電十四小時以防止終端機內之電池於儲存期間因自然放電而導致不能開啓。
3. 當電池長期沒有使用，建議每三個月將電池充滿電。
4. 若機器長期閒置，請將充電電池拆離機器，並將充電電池放置陰涼地方。
5. 充電電池之理想操作溫度是 0°C ~ 45°C。
6. 若充電電池出現嚴重破損或鼓起，請即停止使用。
7. 切勿撞擊、拆毀、焚燒、加熱超過 60°C 或短路電池組正負極。
8. 必須使用瑞柏專用充電器。
9. 切勿將電池與金屬物品一起放置。
10. 電池棄於火內將可能引致爆炸。

On / Off Procedure

To Turn On

Power is on whenever plugged. When the Terminal displays "PLEASE SWIPE CARD", it is ready for operation.

To Turn Off

When the Power Adaptor is disconnected from the Terminal, keep on pressing the  key for several seconds.

Note :

1. If the Terminal is idle for more than 90 seconds, it will power off automatically. If CREON-D handset is idle for more than 90 seconds, it will power off automatically.
2. Please charge the new received Terminal for 4 hours before use, while CREON-E model battery have to charge 14 hours to avoid start up problem due to battery discharge during a long storage.
3. When the battery is not in use for a long time, it is recommended to fully charge the battery for every three months.
4. If the machine is idle for a long time, please disengage the battery from the machine and keep it in cool environment.
5. The best operating temperature of the battery is 0°C ~ 45°C.
6. If the battery is damaged or bulged, please stop to use.
7. Do not crush, disassemble, heat above 60°C short circuit or incinerate the battery.
8. Use only with the specified Spectra Charger.
9. Keep battery contacts away from metal parts.
10. May explode if the battery is disposed in fire.

3 安全及維修 Safety and Maintenance

3.1. 基本安全規範

使用CREON系列及相關設備時，必須始終遵循如下基本安全規範以防範火災、電擊以及個人傷害：

- ~ 詳細閱讀並理解所有的提示
- ~ 清潔前必須斷開電源和外殼，要使用乾絨布或者軟刷子進行清洗
- ~ 請勿在靠近水的地方使用設備
- ~ 禁止將任何液體灑落到設備上
- ~ 請將設備放在穩定的平臺上，設備跌落可能會導致嚴重損壞
- ~ 不要將設備放到溫度過高或者空氣不流通的地方，確保地方有助於透氣和散熱
- ~ 確保使用電源安全及穩定
- ~ 不要在電源線上放置物品，將設備的電源線安裝在人員無法踩到的地方
- ~ 電源插座不要過載，以避免火災和觸電
- ~ 將設備安放在電源插座附近，確保能方便快捷地使用電源插座
- ~ 為了減少觸電危險，禁止拆卸設備內部，必要時請交給服務商處理，私自開封和拆卸會引起電擊和其他危險，重新組裝不當會有觸電危險
- ~ 在附近有煤氣洩漏時禁止使用CREON及相關連線設備
- ~ 在雷雨閃電時期，禁止安裝電話線
- ~ 雷雨來臨時，儘可能斷開電話線，閃電可能帶來電擊危險
- ~ 禁止在潮濕環境下安裝電話插座

3.1. Basic Safety Practice

While using CREON and its accessories, please follow the safety instruction to avoid fire, electric shock and personal injury.

- ~ Read this instruction in detail
- ~ Disconnect the power and accessories before cleaning, and use dry flannelette and soft brush for cleaning.
- ~ Do not put the CREON next to water
- ~ Do not spray any liquid on CREON
- ~ Put the CREON on the stable platform to avoid drop down that make it damage
- ~ Do not put the CREON in high temperature and poor ventilation area
- ~ Ensure electricity supply is safe and stable
- ~ Do not put anything on the power cable, and avoid people step
- ~ Do not over load the power socket
- ~ Put the CREON next to the power supply socket to make ease of the usage
- ~ To avoid electric shock, do not disassembly the CREON internal parts by yourself. Send to agency for repairing if necessary
- ~ Do not use CREON and its accessory during explosive gas leakage
- ~ Do not install the telephone line during lightning
- ~ If possible, disconnect the telephone line during storming to avoid electric shock.
- ~ To avoid install the telephone plug in the wet area



3.1. 基本安全規範

在下列情況下，請斷開電源和外設，將設備給專業維修人員處理：

- ~ 電源線或者插頭被損壞
- ~ 設備內有液體進入
- ~ 設備被雨水淋濕
- ~ 當按照操作指南進行操作時，設備不正常工作
- ~ 設備被摔壞或受損
- ~ 設備出現明顯的異常變化

3.1. Basic Safety Practice

For the follow cases, disconnect the power and the accessories and send for repairing:

- ~ Damage on the power cable and the plug
- ~ Liquid get in to the terminal
- ~ Terminal gets wet in the rain
- ~ Still abnormal after follow all the instruction mentioned
- ~ Terminal totally broken by fall
- ~ Terminal obviously abnormal

3.2. 安全警告

- ~ 在使用CREON的無線機型進行無線通訊時，務必將設備與人體之間的距離保持在20釐米以上，不得將設備與其他天線或發射裝置並列放置者連接使用
- ~ 在安裝內置電池組時要小心，錯誤的安裝可能會導致爆炸。請務必採用由CREON提供的專用電池組，舊電池處理請按當地法規處理
- ~ 務必採用CREON特定的AC/DC電源適配器來供電

3.2. Safety Warning

- ~ During using the wireless CREON, the distance between human should be unless 20cm, and do not close to the other antenna to avoid interference
- ~ Shall be very careful for battery installation to avoid explosion. Should use the designated Battery for CREON, and follow local regulation to discard battery
- ~ Should use the designated power Adaptor for CREON

3.3. 安裝位置

- 使零售商和持卡人都能安全方便進行操作
- 把CREON平放在桌面上或工作臺上，便於連接電源插座和其他外設
- 保持設備通風良好，當設備放在固定場所時，終端周圍必須留出22釐米空間

禁止將終端暴露在以下環境中：

- 電壓波動或者電雜訊輻射超標的設備，如：空調、電扇、電動馬達、霓虹標誌或其他高頻安全設備
- 裝水的容器，如：水槽、熨衣水盆或水池等
- 濕度、溫度過高的場所
- 含油、鹽分及粉塵含量超標的場所
- 陽光直接照射或熱輻射
- 金屬隔離物或者阻礙無線接收及發射的物體（使用終端的無線功能時）
- 消磁設備及磁力防盜系統附近

3.3. Location for installatio

- Should be a safe place for the users during business
- Should be on plate desk or working platform to make it easy for power and other accessories connection
- Good ventilation and should have 22cm space around the terminal in a fix place

DO NOT explore CREON in following situation:

- High frequency wavelength electronic applications, such as motor, neon sign, etc.
- Liquid container, e.g. water trough, sink and pond, etc.
- High temperature and humidity place
- High contain of VOC, salty and dusty are
- Sunshine and thermal radiation area
- Metal and other items that have interference for the wireless signal receiving (using wireless CREON)
- Next to the Anti-Magnetic system and Magnetic Security System

3.4. 電池使用

- 當電池顯示標識只剩一格時，應立刻外接電源充電
- 當只使用電池組進行打印時，發現顯示幕有閃動，即表示電壓不足，應立刻外接電源

3.4. Use Battery

- While the battery signal only remain One, re-charge the battery at once.
- While only use the battery for printing and find the LCD flashing, re-connect the external power at once

3.5. 維護技巧

清潔印表機

清潔印表機請按以下步驟：

- 1、斷開終端與電源的連接
- 2、開啓紙斗蓋, 取出軸心及紙卷
- 3、清除紙斗中的紙屑及灰塵, 如果可能的話, 可使用低壓吹風器
- 4、放回紙卷
- 5、合上紙斗蓋

維修運送

如需要把CREON運送到維修部門, 請先和代理商聯繫, 並把CREON打包要細心, 最好使用原始包裝, 確保在運送過程中不會弄壞機身。

3.5. Maintenance

Printer Cleaning

Use the follow steps to clean up the printer:

1. Disconnect the power cable from the terminal
2. Open the printer cover, take out the paper and roller
3. Cleanup the dust and paper wastes in the paper tray. If possible, use low-pressure blower to blow it.
4. Put back the paper and roller in the paper tray
5. Close the printer cover

Send back for repairing

If it is necessary to send back the CREON for repairing, please contact the agency at first, ant then carefully pack the CREON with our original packing, to avoid damage during Transportation.



3.5. 維護技巧

CREON是以最少的維護，為您提供持續穩定的服務，用戶使用時要避免太陽暴曬、高溫、潮濕和塵土，以保證終端正常工作。為保證CREON工作在最佳狀態，我們有以下建議：

- ~ 終端乾燥，盡可能地保持工作及貯存環境的潔淨
- ~ 不要在太熱或太冷的地方貯存終端
- ~ 不要打開AC/DC電源適配器
- ~ 不要遙晃或摔打終端
- ~ 不要嘗試打開終端部件(電池, SAM卡倉除外)。打開CREON內部的行為將導致所有密鑰被自動擦除，終端也將無法進行

清潔CREON

日常清潔需注意以下事項：

- ~ 使用一塊乾淨絨布輕輕擦去終端上的灰塵
- ~ 可用酒精或酒精類清潔劑擦去較頑固的污點
- ~ 如果可以，可使用低壓吹風器吹去鍵盤按鍵及紙倉中的灰塵
- ~ 可用軟布或鏡頭紙輕擦顯示幕

3.5. Maintenance

CREON has been designed to have less maintenance and stable performance for users. It should avoid exposing in the sunshine, high temperature, high humidity and dusty area. Ensure to have best performance for the CREON, we suggest:

- ~ Dry place, clean and tidy environment
- ~ No extremely hot and cold place
- ~ Do not open the power adaptor by yourself
- ~ Do not shake and thrash the terminal
- ~ Do not try to disassembly the terminal (battery and SAM card are ok). The opening of internal part would erase all the data in the terminal and cannot run in Normal way.

CREON Cleaning

User can perform the daily cleaning on CREON as:

- ~ Use flannelette to erase the dust from the terminal
- ~ Can use alcohol to remove stubborn stains
- ~ If possible, use low pressure blower to blow out the dust on the keypad and the paper tray
- ~ Use flannelette or lens cleaning paper to Clean the display



3.6. 故障排除

CREON的產品設計力求穩定可靠，但在安裝和使用的過程中還是可能出現一些小問題，在準備送修之前，可自行作出以下簡單的解決辦法，如果問題仍未解決，請與代理商聯繫，禁止私自拆卸終端

終端出現“死機”情況

- 1、檢查AC/DC電源插座是否插牢，以及同軸接頭與終端PWR介面是否吻合
- 2、如果CREON只使用電池供電，請按下OFF鍵，保持3秒種，關掉機件
- 3、連接一個其他設備，檢查電源插座有沒有電壓，如果懷疑電源插座存在問題，聯繫專業電工進行專門檢查
- 4、嘗試換一台CREON的AC/DC電源適配器來連接CREON
- 5、換一個電源插座來連接CREON
- 6、嘗試調節LCD液晶顯示幕的對比度
- 7、如果問題仍未解決，請與代理商聯繫。

交易不成功

- 1、換一張磁卡或IC卡進行交易
- 2、檢查插卡或刷卡方式是否正確，正常速度
- 3、如果用終端輸入的方式交易失敗，請檢查終端上所有電話連線及電纜，如果可能，請檢查主機一端的連接情況
- 4、如果問題仍未解決，請與代理商聯繫

印表機在缺紙情況下仍然送紙

- 1、檢查印表機的打印紙感測器（紙斗內）是否被碎紙或異物擋住
- 2、如果問題仍未解決，請與代理商聯繫

3.6. Trouble Shooting

CREON is designed to have stable performance. However, there would be some minor problems in use. Before sending back for repairing, user can apply the following simple actions to fix the problems

Terminal not function

1. Check the power adaptor is connected well to power socket, and connect to the Terminals
2. If CREON is power supplied by battery only, press the off key for 3 second to off the terminal
3. Check the power supply socket is error free by testing it with other electronic application.
4. Try to use the other power adaptor to connect the CREON to check it
5. Use another power socket for CREON
6. Try to adjust the LCD contract
7. Still have problem, contact agency for Details

Unsuccessful Transaction

1. Try to use other Magnetic card or IC card for transaction
2. Check the swap card method is correct, normal speed
3. Still failure, check the carefully on the power cable and telephone line connect
4. Still have problem, contact agency for details

Printer still running without paper roller

1. Check any paper waste, dust and items that broken the printer sensor
2. Still have problem, contact agency for details