

This file provided by

INFINITY

d a t a c o r p

Switch to Infinity Data Corp for your processing needs! Infinity offers great rates, excellent customer support and a wide range of payment processing solutions.

<http://www.infinitydata.com/>

Call Today!
Sales 1 800 393 6665

Lipman

NURIT[®] 2085
Card Payment Terminal



Installation Manual

A line drawing of a card payment terminal. It has a screen at the top, a card slot in the middle, and a keypad at the bottom. A receipt is shown coming out of the top. The terminal is shown from a three-quarter perspective.

NURIT 2085
Card Payment Terminal
Installation Manual

Copyright Notice

Copyright© Lipman Electronic Engineering Ltd. All rights reserved.

The content of this publication is for informational purposes only and is subject to change without notice. It does not represent a commitment on the part of Lipman Electronic Engineering Ltd.

No part of this publication may be reproduced, transmitted, transcribed, stored in a retrieval system, or translated to any language in any form by any means without the prior written permission of Lipman.

Trademark Information

NURIT® is a registered trademark of Lipman Electronic Engineering Ltd. All other product and brand names contained in this manual are trademarks of their respective owners.

Catalog Number

DOC00241 ORIG.

Print Date

January 2005



Foreword

Thank you for purchasing the NURIT 2085 Card Payment Terminal. You now own one of the most reliable and easy-to-use electronic point-of-sale (POS) terminals manufactured today.

This manual provides basic installation instructions. To fully utilize the features of your NURIT 2085, and for general safety purposes, it is recommended that you familiarize yourself with this manual, the terminal and any peripheral equipment or accessories.



Figure 1 NURIT 2085 - General View



Note

All graphic images in this manual are for illustrative purposes only. Different models of this terminal may exist and may vary in appearance according to country of use or particular customer requirements.

The basic installation procedure is the same for most models. The operation of the terminal is application-dependent.

It is recommended that you store this manual in a safe place for future reference.

Document Conventions

Warning - Failure to follow specific procedures and practices may result in personal injury

Caution - Failure to follow specific procedures and practices may result in damage to the NURIT device or other equipment

Note - Helpful hints and other important information about the use of the NURIT device



Table of Contents

Copyright Notice	ii
Trademark Information.....	ii
Catalog Number	ii
Print Date	ii
Foreword	iii
Document Conventions	iv
Product Regulatory Information.....	1
FCC Compliance Statement.....	1
FCC Part 15 Requirements	1
FCC Part 68 Requirements	2
FCC Part 24 Requirements	3
In Canada:	3
EU Directives Compliance Statement	3
General Safety Instructions	4
Radio Frequency Energy Emission	7
Safety Precautions for Medical Devices.....	8
Pacemakers	8
Other Medical Devices.....	8
Safety Precautions for Other Electronic Devices	9
Specifications.....	10
Initial Setup.....	11
Unpacking the Box	11



Contents Checklist 12

Selecting a Point-Of-Sale Location 14

Optional Accessories..... 16

General Features..... 17

Connecting the NURIT 2085 to an
AC Electrical Power Outlet 20

Connecting the NURIT 2085 to a Telephone Line 21

 Telephone Outlet Types..... 22

Connecting an External Telephone to the NURIT 2085 23

Connecting an External PIN Pad to the NURIT 2085 25

Connecting Peripheral Devices to the NURIT 2085 26

Loading Paper in the NURIT 2085 Printer 28

Installing Security Access Module (SAM) Cards 32

General Care and Maintenance..... 36

 Cleaning the NURIT 2085 36

 Cleaning the Printer 37

 Maintenance Recommendations 37

 Technical Assistance 38

 Shipping the NURIT 2085 38

Troubleshooting 39

Appendix A Using the Magnetic Card Reader 43

Appendix B Using the Smart Card Reader 45

Installation Notes 47



List of Figures

Figure 1	NURIT 2085 - General View	iii
Figure 2	NURIT 2085 - Box Contents	13
Figure 3	NURIT 2085 - Top View	18
Figure 4	NURIT 2085 - Rear View with Connections Panel Options	18
Figure 5	NURIT 2085 - Bottom View.....	19
Figure 6	Connecting the NURIT 2085 to an AC Electrical Power Outlet	20
Figure 7	Connecting the NURIT 2085 to a Telephone Line	21
Figure 8	Connecting an External Telephone to the NURIT 2085	24
Figure 9	Connecting an External PIN Pad to the NURIT 2085	25
Figure 10	Connecting a Peripheral Device.....	27
Figure 11	Feeding Paper into the NURIT 2085 Printer ...	29
Figure 12	Inserting the Paper Roll Spindle	30
Figure 13	Inserting the Paper Roll	30
Figure 14	Closing the Paper Roll Cover	31
Figure 15	Releasing the SAM Cards Compartment Cover	32
Figure 16	Opening the SAM Cards Compartment	33
Figure 17	Sliding the Cardholder Locking-Clasp	33
Figure 18	Inserting a SAM Card.....	34
Figure 19	Magnetic Card Reader	43
Figure 20	Smart Card Reader	45



Product Regulatory Information

Caution

Changes or modifications to this device that are not expressly approved by the party responsible for compliance could void the user's authority to operate the equipment.

FCC Compliance Statement



Manufacturer: Lipman Electronic Engineering Ltd.
Model: NURIT 2085

FCC Part 15 Requirements

This equipment has been tested and found to comply with the limits for Class B digital device, pursuant to Part 15 of the FCC Rules. These limits are designed to provide reasonable protection against harmful interference when the equipment is installed and operated in a commercial environment.

This equipment generates, uses and can radiate radio frequency energy and, if not installed and used in accordance with the instructions, may cause harmful interference to radio communications. However, there is no guarantee that interference will not occur in a particular installation.

Operation of this equipment in a residential area is likely to cause harmful interference in which case the user will be required to correct the interference at his/her own expense.



If this equipment does cause harmful interference to radio or television reception, which can be determined by turning the equipment off and on, the user is encouraged to try to correct the interference by one or more of the following measures:

- Reorient or relocate the receiving antenna.
- Increase the separation between the equipment and the receiver.
- Connect the equipment into an outlet on a circuit different from that to which the receiver is connected.
- Consult your dealer or an experienced technician for help.

Connection of peripherals to this unit requires the use of grounded, shielded cables to ensure compliance with the class B limits.

FCC Part 68 Requirements

The FCC has established rules permitting this device to be directly connected to the telephone network. Standardized FCC Part 68 compliant telephone line cords and modular jacks are used for these connections. This equipment should not be used on party or coin lines.

If this device is malfunctioning, it may be causing harm to the telephone network; this device should be disconnected until the source of the problem can be determined and until repair has been made. If this is not done, the telephone company may temporarily disconnect service.

The telephone company may make changes in its technical operations and procedures; if such changes affect the compatibility or use of this device, the telephone company is required to give adequate notice of the changes. You will be advised to file a complaint with the FCC.

If the telephone company requests information on what equipment is connected to their lines, inform them of:

- The telephone number to which this unit is connected
- The AC Ringer Equivalence Number: 0.2A
- The USOC jack required: RJ-11C
- The FCC Registration number: (See the underside of the unit and/or applicable unit documentation for this number.)



The Ringer Equivalence Number (REN) is used to determine how many devices can be connected to your telephone line. In most areas, the sum of the RENs of all devices on any one line should not exceed five (5). If too many devices are attached, they may not ring properly. To be certain of the number of devices that may be connected to the line, as determined by the total RENs, contact the telephone company to determine the maximum REN for the calling area.

FCC Part 24 Requirements

This device may contain a radio transceiver module, (FCC ID number is located on the bottom of the terminal), operating under Part 24 of the FCC rules in a licensed part of the radio spectrum. Qualified personnel must perform service or repairs to the radio portion of this device. Any unauthorized modification to the radio module, shielding, or antenna system may void the user's authority to operate this device.

In Canada:

This digital apparatus does not exceed the class B limits for radio noise emissions from digital apparatuses set forth in the Radio Interference Regulations of the Canadian Department of Communications.

Cet appareil digital n'émet pas de bruits radioélectriques dépassant les limites applicables aux appareils de la classe B, déterminée par la Réglementation d'Interférence Radio du Ministère canadien des Communications.

EU Directives Compliance Statement



This product complies with the requirements of applicable EU Council Directives.

Caution

Any unauthorized modification of the equipment may void the user's authority to operate this device.



General Safety Instructions

Warning

Failure to observe these instructions may result in severe personal injury or damage to the NURIT 2085 or other equipment.

Note

These safety instructions are based in general on those provided by Underwriters Laboratories (UL) Inc. U.S.A.

When using the NURIT 2085 or any associated device, the following basic safety precautions should always be observed to reduce the risk of fire, electric shock, or personal injury:

- Read and make sure you understand all instructions.
- Follow all warnings and instructions marked on the device and in this manual.
- Disconnect the device from the power supply and any peripherals before cleaning.
- Do not use liquid or aerosol cleaners. Use a damp cloth for cleaning and/or a soft brush.
- Do not use the device near water, especially when using the AC/DC Power Adapter or external modem.
- Never spill any liquid on the device.
- Place the device in a stable position on a solid surface. When operated hand-held, grasp the device securely. Serious damage may result if the device falls.



- Do not cover slots and openings of the device. They may be provided for ventilation and protection against overheating. Never place the device near radiators, or in a place where proper ventilation is not provided.
- Use only the power source as marked on the device. If you are not sure of the type of the power supplied to your location, consult your dealer or local power company.
- Do not place objects on the power cord. Install the device where no one can step on the cord.
- Do not overload wall outlets and extension cords as this can result in the risk of fire or electric shock.
- Never push objects into the device through slots (other than those specifically intended for magnetic stripe or smart cards, as this may result in fire or electric shock.
- To reduce the risk of electric shock, do not disassemble any of the equipment or accessories referred to in this manual. If required, take the equipment to a qualified service representative. Opening or removing covers may expose you to dangerous voltages or other risks. Incorrect reassembly can cause electric shock.



- Disconnect the device from the power supply and any peripherals and refer to qualified service personnel under the following conditions:
 - The power supply cable or plug is damaged or frayed.
 - Liquid has been spilled into the device.
 - The device has been exposed to rain or water.
 - The device does not work normally, when following the operating instructions.
 - The device has been dropped or damaged.
 - The device exhibits a distinct change in performance.
- When using the NURIT during thunderstorms, disconnect the telephone line, if possible. There may be a remote risk of electric shock from lightning.
- Never install telephone wiring during a lightning storm.
- Never install telephone jacks in wet locations unless the jack is specifically designed for wet locations.
- Never touch non-insulated telephone wires or equipment unless the telephone line has been disconnected at the network interface.
- Use caution when installing or modifying telephone lines.
- When in the vicinity of a gas leak, do not use the NURIT 2085, a standalone telephone or a telephone connected to a POS terminal.



Radio Frequency Energy Emission

Your NURIT 2085 may contain a transmitter and receiver that emit radio frequency (RF) energy. The actual frequency range used by the NURIT 2085 is radio-modem dependent according to the specific model. Digital modulation techniques are used.

During radio communication, the local radio system handling the actual communication controls the actual power transmission output level. This output level may typically vary (relative to the distance between the user location and the cell transmission sites).

- When used properly, the design of this terminal complies with U.S., Canadian, European and other standards for protection from public exposure to radio frequency (RF) magnetic signals.
- This device has been tested and meets RF exposure guidelines for hand-held operation pursuant to FCC OET Bulletin 65 Supplement C ed. 01-01, IEEE 1528/D1.2 (2003) and Industry Canada RSS-102 (1999).

Warning

Wireless models of the NURIT 2085 must be located at a minimum of 20 cm from all persons, and must not be co-located or operated in conjunction with any other antenna or transmitter.



Safety Precautions for Medical Devices

For those persons using a pacemaker or other medical device, please read the following important safety notes:

- Though most electronic equipment and critical medical devices are shielded against radio-frequency signals, it is important to realize the possibilities of potential interference and to know the standard precautions that may be taken.

Pacemakers

Industry standards recommend a minimum separation of 15 cm (6 inches) between a wireless phone-type device and a pacemaker to prevent any potential problems.

Individuals using a pacemaker should:

- Always keep the NURIT more than 15 cm (6 inches) from the pacemaker when using the unit for cellular wireless communication or when performing an online transaction.
- Turn off the NURIT immediately and disconnect it from the power supply if you suspect any problem of interference.

Other Medical Devices

Consult the manufacturer of your medical device to determine its level of shielding. Depending on the proximity to certain equipment, you may be asked not to use your NURIT terminal or one of its accessories.



Safety Precautions for Other Electronic Devices

- Do not use your NURIT 2085 in an area of potential explosive atmosphere, such as fuel or chemical storage or transfer facilities, or in any area where you would be advised to turn off a vehicle's engine.
- Do not use the NURIT 2085 in a known blasting area.
- Do not place the NURIT 2085 in the area over a vehicle-equipped air bag.
- If the battery pack has been removed, ensure that no metal objects come in contact with its electrical contacts.
- You are using a NURIT 2085 designed for use with a built-in internal antenna. Do not open the device with the intent of tampering with the antenna system. Doing so may damage the unit and violate FCC (Ministry of Communications) regulations.
- Radio frequency energy may affect improperly installed or very sensitive systems. Consult the specific device manufacturer (or airline crew for possible airborne operation) regarding typical problems that may arise when using the device. At the time of the publication of this manual, it is known that use of all radio-type devices is prohibited while airborne.



Specifications

Specification	Details
Power	<ul style="list-style-type: none">Terminal: 14.5 VDC (± 0.5 VDC) at 1.5 AAC/DC Adapter (Safety Approved) Input: 230 VAC at 50 Hz (0.8 A) Output: 14.5 VDC at 1.5 A
Dimensions	<ul style="list-style-type: none">Height: 92 mm (3.63 in)Width: 150 mm (6 in)Depth: 260 mm (10.25 in)
Paper Roll	<ul style="list-style-type: none">57 mm x 50 mm (2.25 in x 2 in)
Weight	<ul style="list-style-type: none">Terminal: 938 g (2 lb 1 oz)Shipping: 1535g (3lb 10 oz) (including cables, power adapter and paper roll;not including documentation)
Modem Communication Rate	<ul style="list-style-type: none">2400 bps FastConnect
Environmental Requirements	<ul style="list-style-type: none">Operating temperature: -15°C to +65°C (+5°F to +150°F)Storage temperature: -30°C to +80°C (-22°F to +176°F)Relative humidity: Up to 95% non-condensing
Approvals	<ul style="list-style-type: none">EMV Levels 1 and 2FCC Part 15 Class B and FCC Part 68CE

Note

Specifications are subject to change without notice following technological improvement of the device and its components.



Initial Setup

Unpacking the Box

To unpack the box:

1. Place the box right side up on a stable, flat surface.
2. Open the front flap of the box.
3. Open the top cover of the box.
4. Carefully remove the contents of the box.

Note

It is recommended that you save the box for future repacking or moving of the terminal.

5. Carefully inspect the contents for any damaged or missing components.

Note

Lipman has taken all measures to provide you with a complete device. If shipping damage is evident, file a claim with the shipping company. Notify your Lipman distributor concerning this damage, and if any components are missing.



Contents Checklist

The following items should be found inside the box:

Note

Any one or more of the included accessories may be already attached to the terminal.

- NURIT 2085 Card Payment Terminal
- AC/DC Power Adapter (boxed)
- AC/DC Power Adapter Cable (boxed)
- Telephone Cable
- Paper Roll Spindle
- Thermal Paper Roll
- Documentation Pack

Note

Depending on the country of use or the specific application, the documentation package may include any or all of the following:

- Installation Manual
- User Manual
- Quick Reference Manual
- Contents List
- Magnetic Stripe Manager Card
- Limited Warranty Card
- Product Registration Card

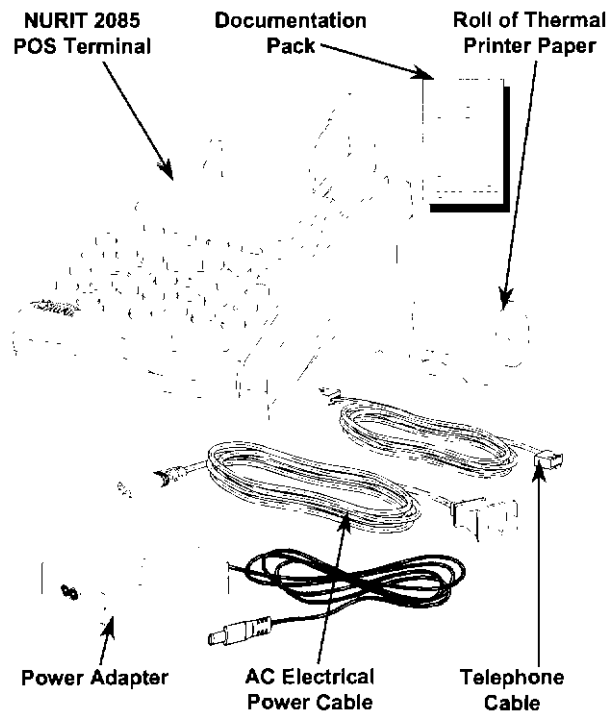


Figure 2 NURIT 2085 - Box Contents



Selecting a Point-Of-Sale Location

The NURIT 2085 is designed for operation on a stationary indoor table or countertop, using the AC/DC Power Adapter and a direct telephone line connection or network connection.

Warning

Do not locate the terminal where it is exposed to the following:

- Devices that radiate excessive electrical noise or voltage fluctuations, such as air conditioners, fans, electric motors, neon signs, or high-frequency security devices.
- Water containers, such as a sink, a laundry tub or a pool.
- Areas of excessive moisture, heat, oil, dust or debris.
- Direct sunlight or objects that radiate heat.
- Metal partitions or such obstructions that may disrupt radio transmission or reception if your terminal is used as a wireless device.

Caution

Under no circumstances should the NURIT 2085 be powered or charged outdoors using its AC/DC adapter or docking station.

- Do not cover the terminal.
- Maintain good ventilation around the terminal. To meet standard ventilation requirements, at least 22.1 cm (8.7 in) of clear space must be provided around the terminal in its fixed operating location.



Note

Before using the NURIT 2085, remove the thin transparent plastic membrane that covers the LCD screen.

Warning

Do not use a NURIT 2085 that shows any signs of damage.



Optional Accessories

Optional accessories for the NURIT 2085 may be packaged with the terminal in its original box or may be packaged and supplied separately.

Caution

Connection of any accessory that is not explicitly approved by Lipman may cause damage and thus void the Limited Warranty of this equipment.

Note

Availability of the optional accessories may vary according to customer requirements.

Consult your authorized Lipman representative for information regarding availability of current or future optional accessories.

Accessory	Details
PC-Terminal Download Cable	<ul style="list-style-type: none">• Cable used for downloading software applications to the terminal• Connects to an RS-232 COM port on the PC• Catalog No.: FCL07903
Terminal-Terminal Interconnection Cable	<ul style="list-style-type: none">• Enables peer-to-peer software updating• Uses standard Ethernet cross cable with an RJ-45 connector on each end• Catalog No.: FCL00092 <p>Note: For security reasons, terminal-terminal software updating is not available for terminals with Secure Download enabled.</p>



General Features

The NURIT 2085 includes the following features:

Feature	Description
LCD Display	<ul style="list-style-type: none"> Black and white LCD display with backlight, for general operational prompts and messages 2 rows of 16 characters
Keypad	28 keys comprised of: <ul style="list-style-type: none"> 10-key telephone-style keypad section (including the letters of the alphabet and the numerals 0-9) Function and special keys such as 'Cancel', 'ENTER' and 'Backspace'
Control Buttons	<ul style="list-style-type: none"> Four control buttons below the LCD display
Smart Card Reader	<ul style="list-style-type: none"> Integrated, front-entry smart card reader
Magnetic Card Reader	<ul style="list-style-type: none"> Integrated, bi-directional reader for magnetic stripe cards
SAM Cards Compartment	<ul style="list-style-type: none"> Compartment capable of holding up to two SAM cards, depending on the model
Thermal Printer	<ul style="list-style-type: none"> Quiet and fast, integrated thermal printer
Connectors	<ul style="list-style-type: none"> Power jack Telephone line connector External telephone connector RJ-11 connector for external PIN Pad (also provides 7.5V±0.5V at 250 mA power to PIN Pad) Network and peripheral connections: <ul style="list-style-type: none"> COM-1 peripheral connector COM-2 peripheral connector

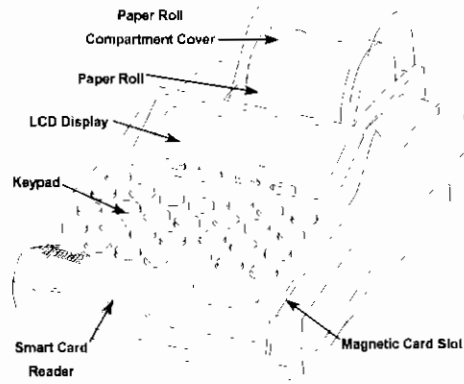


Figure 3 NURIT 2085 - Top View

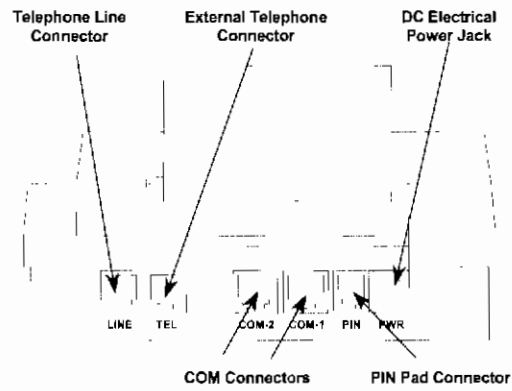


Figure 4 NURIT 2085 - Rear View with Connections Panel Options

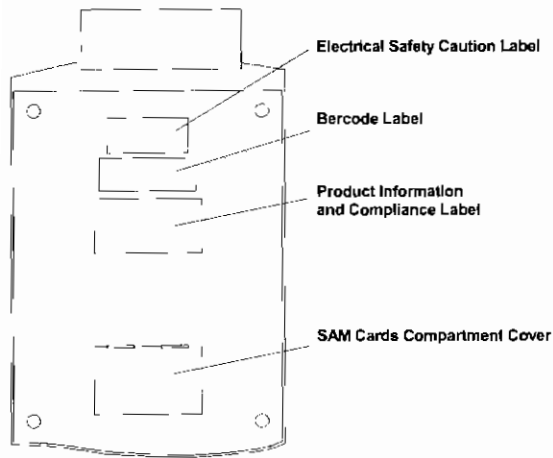


Figure 5 NURIT 2085 - Bottom View



Connecting the NURIT 2085 to an AC Electrical Power Outlet

The NURIT 2085 receives its power from an AC electrical power outlet using the AC/DC Power Adapter that is supplied with the terminal.

To connect the NURIT 2085 to the AC electrical power outlet:

1. Connect the plug of the AC electrical power cable to the oval power jack on the AC/DC Power Adapter.
2. Connect the circular barrel plug of the AC/DC Power Adapter to the connector labeled **PWR** on the connections panel.
3. Connect the other end of the AC electrical power cable to an AC electrical power outlet.

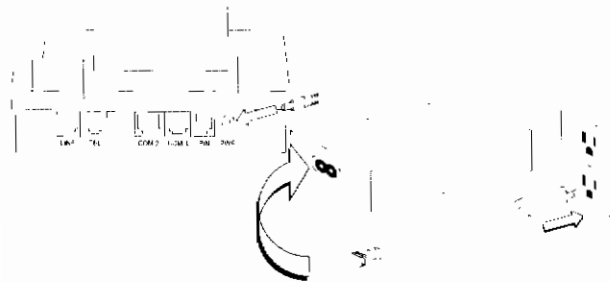


Figure 6 Connecting the NURIT 2085 to an AC Electrical Power Outlet



Connecting the NURIT 2085 to a Telephone Line

The NURIT 2085 may communicate using standard telephone lines. The terminal includes a built-in high-speed modem that connects directly to any analog telephone line.

To connect the NURIT 2085 to a telephone line:

1. Disconnect the terminal's AC/DC Power Adapter from the electrical power outlet.
2. Connect one end of the enclosed telephone cable to the RJ-11 connector labeled **LINE** on the connections panel.
3. Connect the other end of the telephone cable to a standard RJ-11 type modular telephone line outlet.

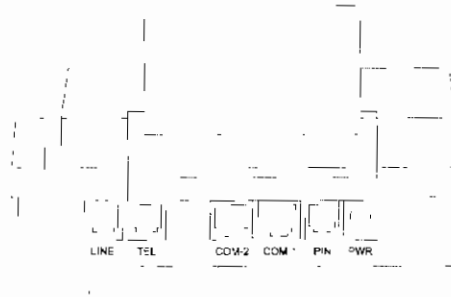


Figure 7 Connecting the NURIT 2085 to a Telephone Line

4. Reconnect the AC/DC Power Adapter to the electrical power outlet.



Telephone Outlet Types

The following types of telephone outlets are common:

- **Modular**
This is the most common type of telephone outlet used. Plug the supplied telephone cord from the terminal into a standard modular telephone jack. If you do not have a modular jack, contact your local telephone company or a qualified telephone technician.
- **4-Prong Jack**
You must purchase a special adapter for use with a 4-prong jack. This adapter plugs into the 4-prong jack and the telephone line cord plugs into the adapter.
- **Hard-wired**
You must purchase a special modular jack adapter for this direct-type hard-wire connection that replaces older connecting blocks. Contact your local telephone company or a qualified telephone technician for correct information on color-coded connections.



Connecting an External Telephone to the NURIT 2085

The NURIT 2085 can share a telephone line with a voice telephone or fax machine. This type of connection requires connecting the telephone to the terminal and the terminal to the wall outlet.

To connect an external telephone to the NURIT 2085:

1. Disconnect the terminal's AC/DC Power Adapter from the AC electrical power outlet.
2. Connect one end of a standard telephone cable to the RJ-11 connector on the telephone or fax machine.
3. Connect the other end of the telephone cable to the RJ-11 connector labeled **TEL/485** on the connections panel.

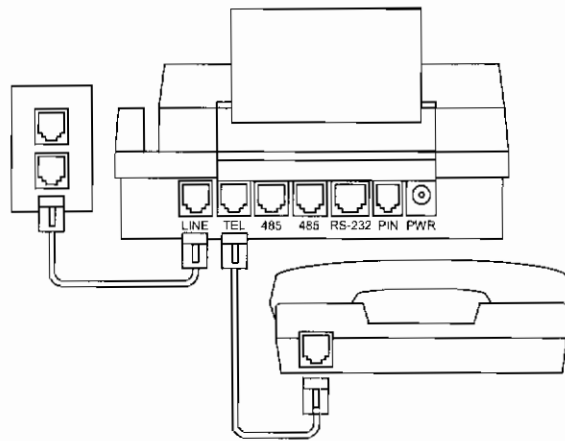


Figure 8 Connecting an External Telephone to the NURIT 2085

4. Reconnect the AC/DC Power Adapter to the electrical power outlet.

Note

A terminal that connects to an RS-485 network cannot have an external telephone connected through it.



Connecting an External PIN Pad to the NURIT 2085

The NURIT 2085 is a multifunction POS terminal that includes an internal PIN Pad feature, though certain installations may require an external PIN Pad, which connects to the PIN Pad port connector.

To connect an external PIN Pad to the NURIT 2085:

1. Disconnect the terminal's AC/DC Power Adapter from the electrical power outlet.
2. Connect the PIN Pad cable to the PIN Pad.
3. Connect the other end of the PIN Pad cable to the connector labeled **PIN** on the connections panel.



Figure 9 Connecting an External PIN Pad to the NURIT 2085

4. Reconnect the AC/DC Power Adapter to the electrical power outlet.

Note

The PIN Pad port provides electrical power at $7.5V \pm 0.5V$, 250 mA, which can power most PIN Pads. Before installing, check your PIN Pad documentation to verify that this is sufficient.



Connecting Peripheral Devices to the NURIT 2085

You can connect a variety of optional RS-232 compatible peripheral devices to the NURIT 2085, including:

- Barcode readers
- Check readers
- Signature capture devices
- Electronic scales
- PCs

Note

Peripheral devices may require special adapter cables for their connection to the NURIT 2085. In addition, certain peripheral devices require an external power supply.

Refer to the specific product documentation of the peripheral devices or contact your local Lipman representative for further details.

Note

The NURIT 2085 can connect to up to two external peripheral devices. Consult with your Lipman distributor for information about the peripheral devices that you can connect to your specific model of NURIT 2085.



To connect an RS-232 peripheral device to the NURIT 2085:

1. Disconnect the terminal's AC/DC Power Adapter from the electrical power outlet.
2. Connect a peripheral device to one end its adapter cable.
3. Connect the other end of the adapter cable to the connector labeled **COM-1** or **COM-2** on the connections panel.

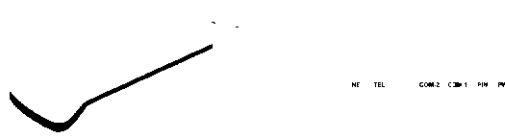


Figure 10 Connecting a Peripheral Device

4. Reconnect the AC/DC Power Adapter to the electrical power outlet.



Loading Paper in the NURIT 2085 Printer

To load a roll of thermal paper in the printer:

1. Place the terminal on a flat, stable surface.
2. Secure the terminal in place with one hand
3. With your other hand, lift the paper roll cover up and detach it from the terminal.
4. If the paper roll spindle is inside the paper roll compartment, remove it.
5. Remove the tape strip from a new thermal paper roll.
6. Unroll approximately 10 cm (4 inches) of paper to facilitate the feeding process.
7. Hold the paper roll (or place it behind the terminal) ensuring that the paper feeds from the bottom of the roll.
8. Slowly guide the paper under the rubber-coated roller located below the paper tear bar in the paper roll compartment. The paper sensor recognizes the paper edge and the printer mechanism automatically captures the paper and pulls it through the printer.

Note

If you want to advance the paper further than it is automatically advanced, perform the paper feed operation using the keypad.

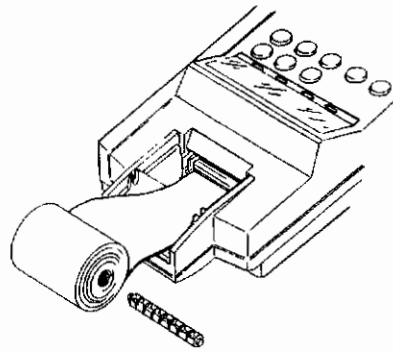


Figure 11 Feeding Paper into the NURIT 2085 Printer

Note

Never load the paper edge if it has been wrinkled or irregularly torn. If required, use scissors to cut the leading edge of the paper to ensure a straight feed into the printer mechanism.

The printer mechanism paper sensor is located on the left front edge of the paper compartment below the paper tear bar. If you cut the paper edge unevenly or attempt to feed the right edge of the paper first, the paper sensor cannot recognize the paper edge and the printer mechanism does not automatically capture the paper and pull it through the printer.



9. Insert the paper roll spindle into the hole of the paper roll.

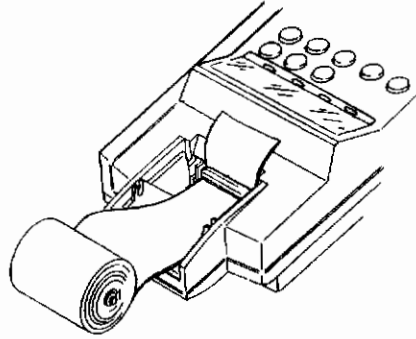


Figure 12 Inserting the Paper Roll Spindle

10. Position the spindle so that it rests in the slots on either side of the paper roll compartment.

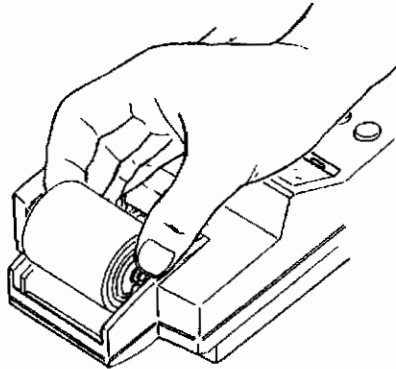


Figure 13 Inserting the Paper Roll



11. Insert the two tabs on the front wall of the cover into the two slots at the front of the paper roll compartment.
12. Gently lower the cover until it snaps into place.

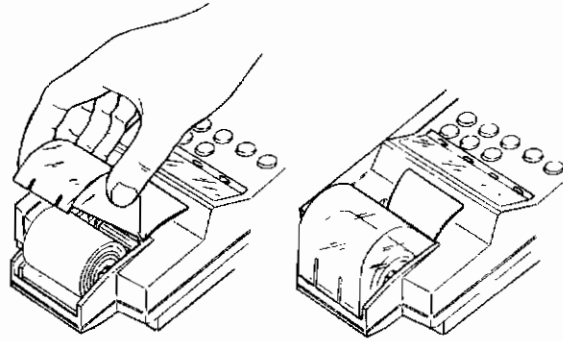


Figure 14 Closing the Paper Roll Cover

Note

When replacing the paper roll cover, ensure that the end of the paper roll (approximately 3 cm) protrudes outside the cover next to the paper tear bar.



Installing Security Access Module (SAM) Cards

Depending on the particular model, you can install one or two SAM cards in the NURIT 2085.

Caution

The SAM contacts can be easily damaged. Do not bend or scratch them when installing or removing a SAM card.

To install SAM cards:

1. Place the terminal face down on a soft, smooth surface so as not to damage the LCD display.
2. On the bottom panel, place a finger in each of the recessed areas adjacent to the two locking tabs of the SAM cards compartment cover, as displayed in Figure 15.
3. Pull out the two locking tabs of the SAM compartment cover.



Figure 15 Releasing the SAM Cards Compartment Cover



4. Lift the SAM cards compartment cover on its hinge and detach it from the terminal, as displayed in Figure 16, exposing the SAM cardholders in the compartment.



Figure 16 Opening the SAM Cards Compartment

5. Slide the cardholder locking-clasp in the direction indicated by the engraved arrow to the **OPEN** position, as displayed in Figure 17.

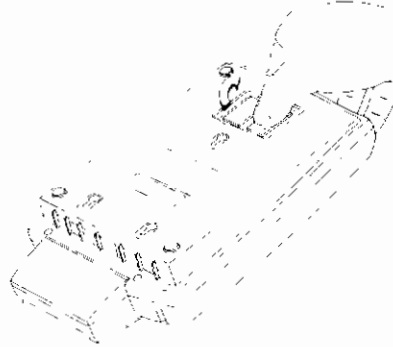


Figure 17 Sliding the Cardholder Locking-Clasp



6. Lift the cardholder on its hinge to a vertical position.
7. Hold the SAM card vertically with the beveled corner at the top edge and the metallic contacts facing towards the contacts on the reader.
8. Slide the SAM card into the cardholder, as displayed in Figure 18.

Note

Make sure that you first slide the end closest to the chip on the card into the grooves of the holder and that the beveled corner is on the top edge of the SAM card.

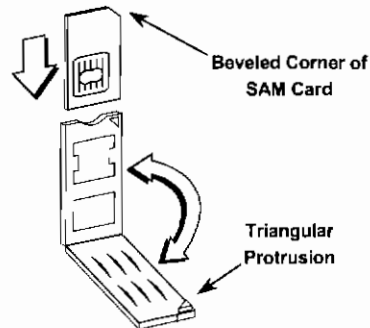


Figure 18 Inserting a SAM Card

9. Lower the SAM cardholder onto its base. Check that the corner of the SAM card is not obstructed by the triangular protrusion at the corner of the cardholder base.
10. Lock the SAM cardholder by sliding the cardholder locking clasp in the direction indicated by the engraved arrow to the **LOCK** position.



To replace the SAM cards compartment cover:

1. Insert the two hinges of the SAM cards compartment cover into the hinge slots on the right side of the SAM cards compartment.
2. Close the compartment cover and press down until the two locking tabs snap into the slots on the left side of the SAM cards compartment.



General Care and Maintenance

The NURIT 2085 has been designed to give you long and trouble-free service with minimal operator care. To maintain the accurate functioning of the terminal, protect it from direct sunlight, extreme heat, dampness and dust.

Cleaning the NURIT 2085

For cleaning, observe the following guidelines:

Caution

- Never use abrasive compounds or solvents, thinners, benzene or synthetic cleansers as they may distort or damage the plastic and critical parts.
- Never clean the keypad with liquids. Use only a lightly dampened cloth or soft brush.
- Never rub or strongly press on the LCD touch screen.
- Gently wipe off dirt from the body of the terminal with a soft, damp, lint-free cloth.
- A very mild dishwashing detergent can be used to dampen the cloth.
- Alcohol or alcohol-based cleansers may also be used for stains that are more difficult.
- Use a low-pressure blower to remove dirt or debris accumulated around the keypad buttons and within the paper roll compartment.
- If possible, use a lens blower to remove dust and dirt from the LCD touch screen. When necessary, gently wipe the touch screen with a soft cloth or eyeglass lens wiper.



Cleaning the Printer

To clean the printer:

1. Disconnect the terminal from the power supply.
2. Open the paper roll compartment cover.
3. Carefully lift the paper roll and remove any excess pieces of paper or dirt that might be lodged in the compartment. If available, use a low-pressure compressed air gun.
4. Replace the paper roll.
5. Close the paper roll compartment cover.

Maintenance Recommendations

To maintain the NURIT 2085 in full working condition, it is recommended that you observe the following guidelines:

- Keep the terminal dry and in the cleanest possible working and storage environment.
- Do not store the terminal in extremely hot or cold areas.
- Do not open the AC/DC Power Adapter.
- Do not shake or drop the terminal.
- Do not attempt to open terminal components.

Caution

Opening a secure model of the NURIT 2085 will automatically result in erasure of all secret encryption keys and will render the terminal inoperable.



Technical Assistance

Contact your Lipman representative for technical assistance and ordering information regarding specific components or accessories.

Shipping the NURIT 2085

In exceptional circumstances, you may be required to ship your NURIT 2085 to a servicing facility.

To ship the NURIT 2085:

1. Carefully pack the NURIT 2085, preferably in the original carton.
2. Attach a postage-paid letter to the outside of the package detailing the complaint and including the following information:
 - Serial Number
(displayed on the bottom of the terminal)
 - Date of Purchase
 - Name of Dealer
 - Address of Dealer
3. Send the package prepaid and adequately insured.

Note

Notify a Lipman representative before shipping the NURIT 2085. Shipment must be to an authorized dealer or service center only. Products sent to other locations will be returned at the owner's expense.

Contact your Lipman dealer for the correct address.



Troubleshooting

The NURIT 2085 has been designed for trouble-free operation. However, minor problems may occur during installation and use. This section briefly describes how to troubleshoot some possible common problems that may arise during the normal operation of the NURIT 2085. Before requesting service for the terminal, read this section to find a possible remedy for the problem. If you are still unable to solve the problem, contact a service representative. Do not try to solve the problem by opening the terminal yourself.

Caution

Turn off the NURIT 2085 or disconnect it from the power supply before connecting or disconnecting any peripheral device.



The terminal appears to have no power

1. Verify that the AC/DC Power Adapter is fully plugged into the AC power outlet and that its barrel connector mates properly with the terminal power jack.
2. Verify that voltage is reaching the AC power outlet by connecting a different device to this outlet. If you suspect any type of problem at this electrical outlet, contact a certified electrician for a professional inspection.
3. Press and hold down the 'ON' key for three (3) seconds.
4. If possible, try to operate the NURIT 2D85 with a different Lipman supplied AC/DC Power Adapter.
5. Connect the NURIT 2D85 to a different AC power outlet.
6. Try to adjust the LCD screen contrast settings, using the designated, model-dependent key combination.
7. If the problem persists, contact an authorized service representative.

Transactions cannot be completed successfully

1. Try to perform the transaction using a different magnetic or smart card (model-dependent).
2. Make sure you have inserted or swiped the card in the proper manner.
3. Attempt to complete several transactions manually using the terminal keypad instead of using customer cards.
If all these transactions are completed successfully, contact an authorized service representative.
4. If a manually performed transaction is not completed successfully, check all telephone connections and cords at your end, and if possible, at the host end of the communication link.
5. If the problem persists, contact an authorized service representative.

**The printer does not function properly**

1. Verify that the AC/DC Power Adapter is connected properly to the AC power outlet and that its barrel plug mates with the power jack on the connections panel of the terminal.
2. Verify that the paper roll compartment cover is fully and securely closed.
3. Open the paper roll compartment cover and check whether the paper roll has been used up. If it has, replace the thermal paper roll.
4. Verify that the paper roll and spindle are correctly installed.
5. Verify that the paper has been fed to the printer from the bottom of the paper roll.
6. Verify that the paper is not jammed or damaged. If it is, reload the paper.
7. If the problem persists, contact an authorized service representative.

The printer continues to operate when out of paper

1. Verify that the paper sensor of the printer mechanism (inside the paper roll compartment) is not blocked by a torn piece of paper or dirt.
2. If the problem persists, contact an authorized service representative.

**Operation with a peripheral device is unsuccessful**

1. Verify that the peripheral device is properly connected to the terminal.
2. Try to verify whether the peripheral device is functioning properly.
3. Replace the cable or the adapter cable being used with the peripheral device.
4. If the problem persists, contact an authorized service representative.

The magnetic card reader does not function properly

1. Verify that the card has been swiped with its magnetic stripe at the bottom and facing the user. See Figure 19 Magnetic Card Reader on page 43.
2. Swipe the magnetic card in the opposite direction.
3. If possible, try using a different magnetic card.
4. If the problem persists, contact an authorized service representative.

The smart card reader does not function properly

1. Verify that the chip end of the smart card is fully inserted with chip side up. See Figure 20 Smart Card Reader on page 45.
2. If possible, try using a different smart card.
3. If the problem persists, contact an authorized service representative.



Appendix A

Using the Magnetic Card Reader

To use the magnetic card reader:

1. Hold the card with the magnetic stripe positioned down and facing the right side of the terminal.
2. Swipe the card all the way through the slot located on the right side of the terminal.

Note

The magnetic card reader supports bi-directional swiping of cards. However, it is recommended that you swipe the card from top to bottom.

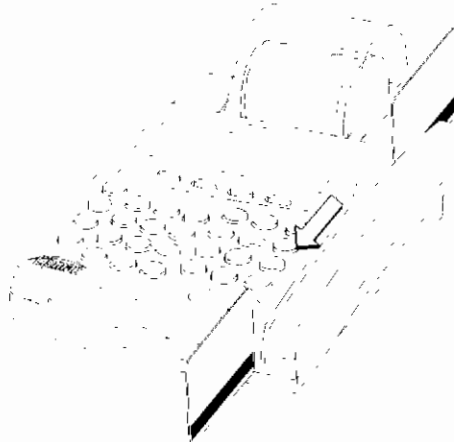


Figure 19 Magnetic Card Reader



Appendix B

Using the Smart Card Reader

To use the smart card reader:

1. Hold the smart card with the metal chip facing upward and directed toward the opening of the smart card reader located at the front of the NURIT 8320.
2. Insert the card into the smart card reader slot.

Note

For guidance, a pictogram near the card slot indicates how to insert the smart card into the smart card reader. In addition, insertion direction arrows may be engraved or inscribed on the smart card.



Figure 20 Smart Card Reader

3. Remove the card when prompted by the terminal, depending on the specific application being used.



Lipman Corporate Headquarters

Tel: +972 3 902 9730 Fax: +972 3 902 9731
e-mail: mail@lipman.co.il www.lipman.biz

Additional Offices

Lipman USA
Tel: +1 516 484 8888 Fax: +1 516 484 9057
e-mail: info@lipmanusa.com www.lipmanusa.com

Lipman Canada Inc
Tel: +1 905 361 2967 Fax: +1 905 361 6401
e-mail: rclark@lipmancanada.com www.lipmancanada.com

Lipman Turkey
Tel: +90 212 276 3388 Fax: +90 212 276 3898
e-mail: mail@lipman.com.tr www.lipman.com.tr

Lipman Spain
Tel: +34 91 588 2140 Fax: +34 91 597 0097
e-mail: nuritsys@lipman.es www.lipman.es

Lipman China
Tel: +86 10 839 13700/01/02 Fax: +86 10 839 13703
e-mail: lipman@public3.bta.net.cn www.lipman.com.cn

Lipman Far East
Tel: +972 3 902 9750 Fax: +972 3 902 7591
e-mail: info@lipman.co.il www.lipmanfareast.com

Lipman Italia
Tel: +39 2 8738 0050 Fax: +39 2 8738 0050
e-mail: info@lipman.it www.lipman.it

Lipman CIS
Tel: +7 095 204 1080 Fax: +7 095 771 8332
e-mail: lipman@gulatelecom.ru www.lipman.ru

Lipman Latin America
Tel: +1 305 234 4110 Fax: +1 305 871 2638
email: obello@lipmanusa.com www.lipmanusa.com



DOC00241 ORIG.