

This file provided by

INFINITY

d a t a c o r p

Switch to Infinity Data Corp for your processing needs! Infinity offers great rates, excellent customer support and a wide range of payment processing solutions.

<http://www.infinitydata.com/>

Call Today!
Sales 1 800 393 6665

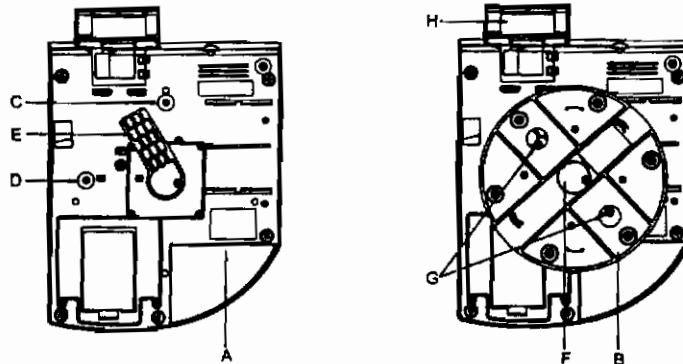


VALUEPAK™ 700/710/720

SWIVEL MOUNT ASSEMBLY INSTRUCTIONS PUB. NO. - 092-32-003 (Orig.) CAT. NO. - DOC00098

PRELIMINARY

1. It is recommended to work on a soft sponge-like surface when mounting the swivel to a ValuePak tray in order to prevent scratches or possible damage to the equipment.
2. The only tool required during all assembly stages is the use of a Philips-head screwdriver.
3. Assembly components:
 - Swivel
 - Swivel Stop
 - Assembly Instructions
 - Five Philips-head screws, size 3x8 mm (Cat. No. SCR33040)
4. Before fixing the swivel stopper in place, you must decide in which direction the various cords run underneath the ValuePak tray (A) and above the swivel (B). After determining the desired direction, fix the stopper in place as depicted in the figures below.



The stopper should be positioned at point (C) if cords are routed vertically, or at point (D) if routed horizontally.

ASSEMBLY INSTRUCTIONS

Mounting Swivel Stopper

1. Carefully position the ValuePak terminal upside down.
2. Using one of the supplied screws, attach the swivel stopper at points (C) or (D) respectfully.

Attaching Swivel Mount

1. Route the cords thru the guide ribs (E) on the ValuePak tray.
2. Slide cords thru the access opening (F) in the center of the swivel mount.
3. Attach the swivel mount to the bottom of the ValuePak's base tray at four points (G) using supplied screws.

NOTE: Screws fit into the holes positioned on either side of the swivel. Rotate the swivel until all four screw holes are visible thru the openings on the swivel. Tighten the screws using a screwdriver.

Attaching PIN pad Holder

Attach the PIN pad holder (H) to the tray by use of its snaps.

NOTE: After finishing all assembly work, place the ValuePak back in its upright position. Verify that the